



TOUCH TILES... UNLIMITED



# ULTRA SLIM BEZEL TOUCH VIDEOWALL

7mm



## TOUCH

Advanced touch BY DISPLAX capabilities recognize up to 100 touch points with precision, allowing multiple people to interact with the screen simultaneously.



## WINDOWS

TILE is based on DISPLAX touch technology optimized and designed to work on Microsoft Windows



## OFFICE

TILE is compatible with Microsoft App Store to be used with apps like Microsoft Whiteboard, One Note Skype, Word, Excel, PowerPoint or any other available.

## BUILD TOUCH VIDEOWALLS ON THE GO

TILE narrow bezel features a bezel-to-bezel ultra slim width that minimizes the visual distraction, providing a near-seamless picture across multiple screens without interruption, making more impact with your customers.

## BEST WAY TO COLLABORATE

Make collaboration part of your day. Share moments and ideas with others on a canvas that is as big as your vision. Bring people together in a way that feels completely natural, with technology that doesn't intrude, but helps ideas flow. Expand what can be accomplished in the moment and then don't lose the momentum.

## ENGAGING

TILE reimagines the experience so that you can unlock the power of the group. You can walk up and access info with a single tap, and share content effortlessly, so that you spend your time connecting to people rather than technology. And since you can easily share, you can communicate outcomes and action points.

## DESIGNED FOR MODERN WORKPLACES & LOBBY

TILE integrates beautifully into the modern workplace, enabling productivity in any space where people come together to get things done, from large conference rooms to informal huddle spaces to offices. The fully integrated design, and flexible mounting configurations means there's a solution for your need. TILE is also designed to be easy to deploy and manage.



# THE FIRST

Next generation of collaboration



## SHOWROOMS, RETAIL, MEETING ROOMS



### AVAILABLE

55" TILE

### MOUNTING OPTIONS

- Wall Mount
- Rolling Stand

### TOUCH PRE-CONFIGURED

We offer a easy set up and configuration so you can install several TILES quickly.

### EMPOWERING COLLABORATION

The TILE allows professionals to collaborate in new and exciting ways that will reshape how we work, teach, and research in the classroom and around the world.

When TILE is applied in places, powerful design considerations emerge to elevate experience of collaboration.

### SPECIFICATIONS



FULL HD



ALL-IN-ONE



ULTRA SLIM BEZEL  
7mm



SKIN ULTRA  
TECHNOLOGY



PERFECT FOR  
VIDEO WALLS

# SPECIFICATIONS

## DISPLAX TILE™



### GENERAL

Detection method	Projected Capacitive Technology Multitouch
Input method Sizes	Finger and Gloved finger
Diagonal Inches	55"
Aspect ratio Glass	16:9
Substrate Glass	Extra Clear Anti-Reflective Coated Glass
Glass Thickness	3.3 mm
Bezel Color	Black matt
Interface OS	HID
Multitouch	Windows 10, 8, 7, Ubuntu 12.04, Linux, Android, Chrome OS
OS Single touch	Mac OS X Yosemite (multitouch support through TUIO bridge)
Data connectivity	USB 2.0
LCD Bezel	7 mm - equal in all sides - top, bottom, left, right
LCD Weight	40,5kg
LCD Dimensions	1223 x 694 mm
Object Recognition	YES - compatible with 6 TAGS

### DISPLAY

Panel Type	IPS / EDGE LED
LCD Response Time	8 milliseconds
Aspect Ratio	16:9
Contrast Ratio	1400:1
Viewing Angle	178° / 178°
Display Resolution	1920 x 1080
Daisy Chain	Up to 4 TILES for each single DisplayPort input
Brightness	500 cd/m2
Panel LifeTime Color	aprox. 60000 hours
Depth	1.07 Billion Colour
Panel Position	Landscape / Portrait / Table
VESA Mount	600 x 400
Power consumption	190 W
Power	100 - 240 V AC

### ENVIRONMENTAL

Operating Temp.	0° C to 40° C
Storage Temperature	-20° C to 60° C
Warranty	1 year
Support Details	support@displax.com <a href="http://support.displax.com">http://support.displax.com</a>

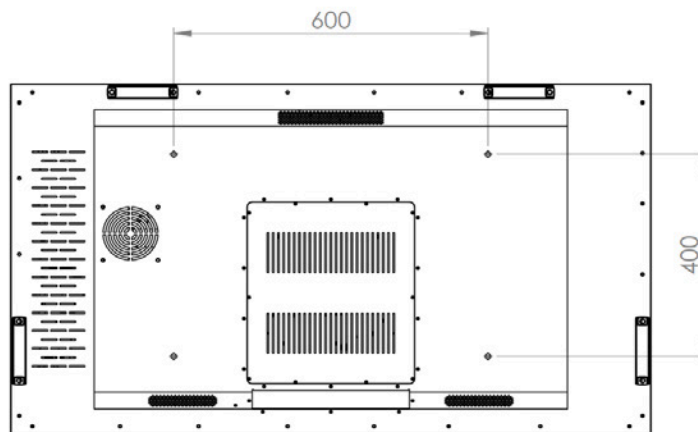
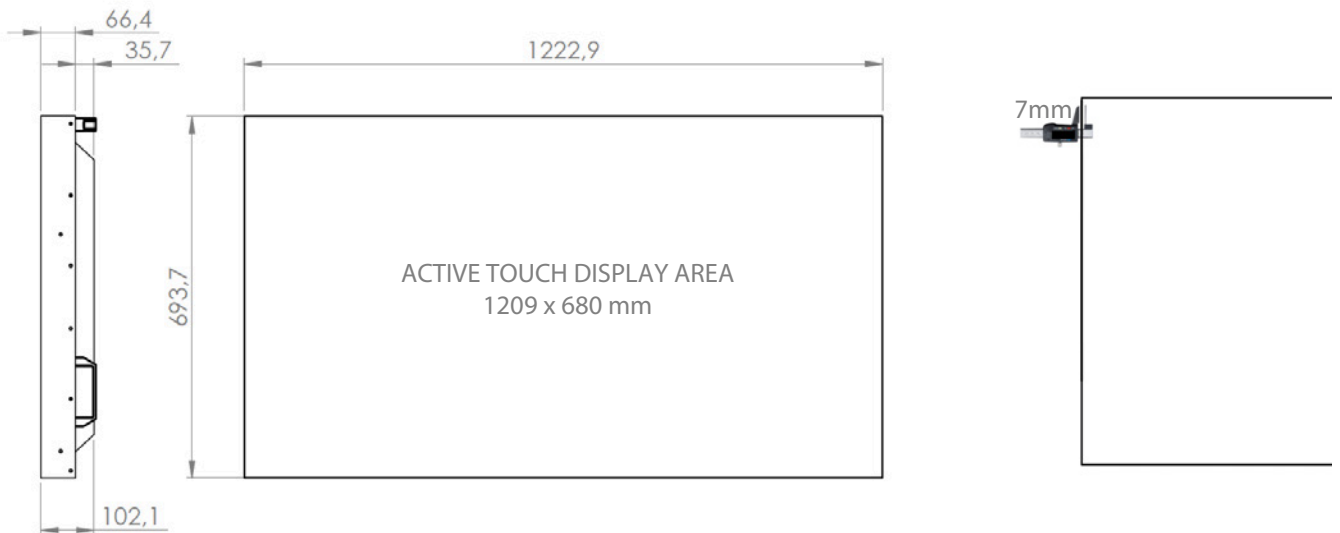
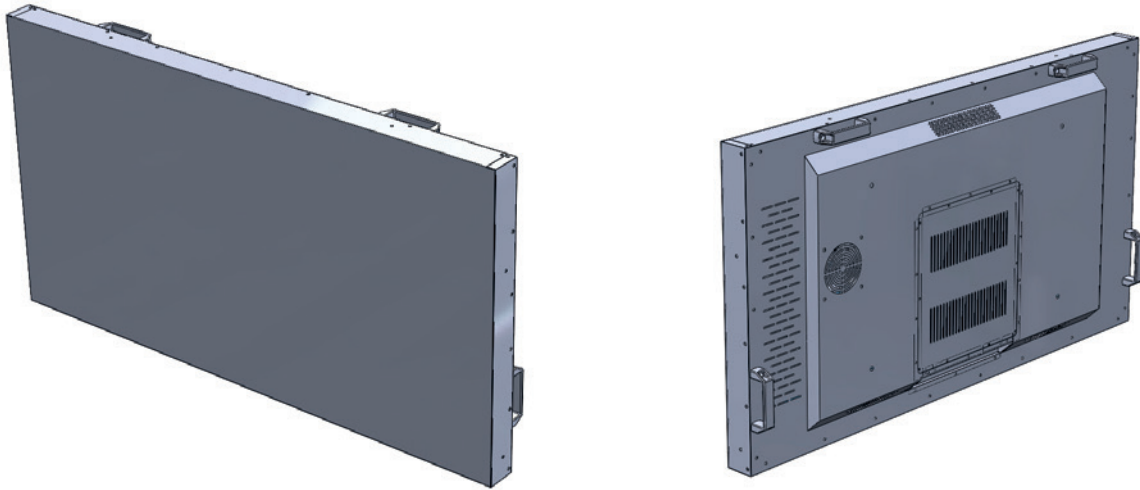
### PACKAGE

Box Dimensions	1450 x 890 x 280 mm
Box Weight	48,75 kg



# LCD TECHNICAL DETAILS

DISPLAX TILE™



## CONNECTIONS

